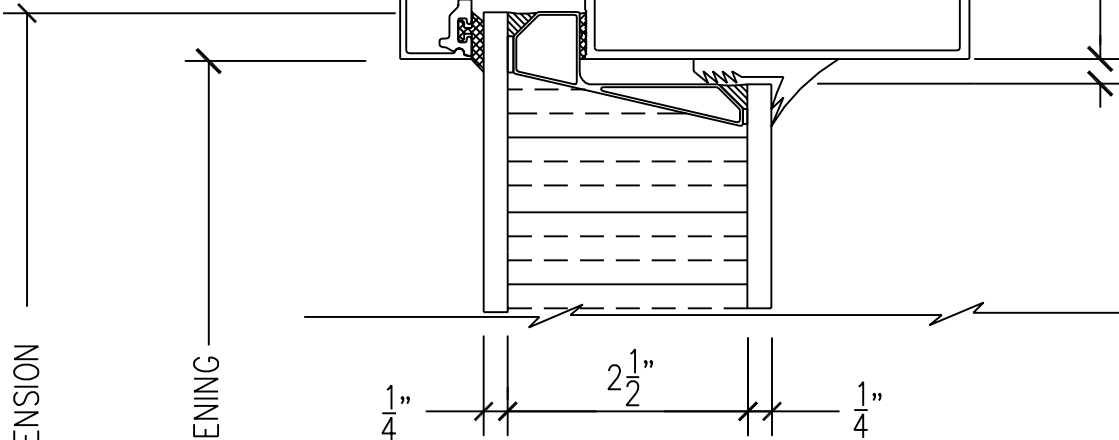


HEAD SECTION

EXTERIOR

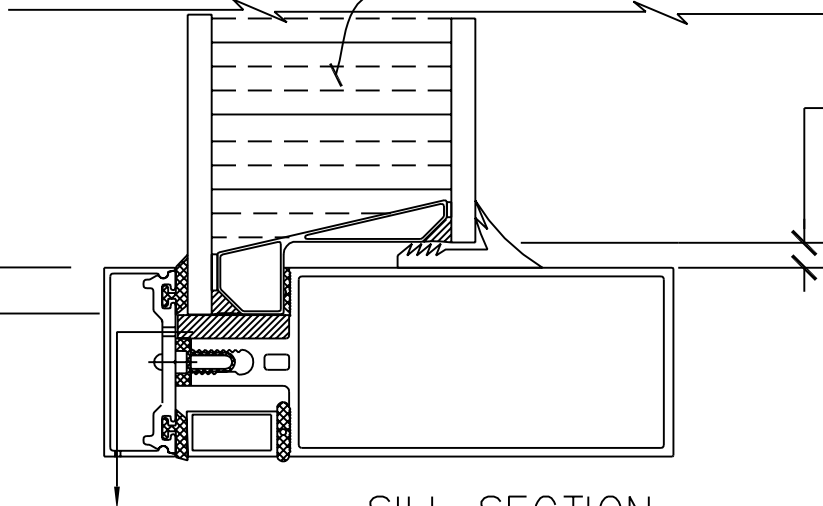
INTERIOR

REBATE



SOLERA-T TGU

REBATE



SILL SECTION

* SEE 300-3003-12 FOR DETAILS OF "INTRA FRAME CAVITY"

DIMENSIONS IN INCHES

SOLERA

ADVANCED GLAZINGS Ltd.

SOLERA IS A REGISTERED TRADEMARK
ADVANCED GLAZINGS LTD.

DRAWINGS CONFORM TO
CSI UNIFORM DRAWING SYSTEM 2000

ISSUE	DATE:	DESCRIPTION:	
PROJECT: SOLERA-T TGU			
TITLE: SOLERA-T TGU WITHIN ALUMICOR 2200 SERIES CURTAIN WALL FRAMING SYSTEM			
DRWN. JWS	DATE: 07/15/04	DWG NO. 300-3028-12	REV 02
Scale 1:2		Sheet	