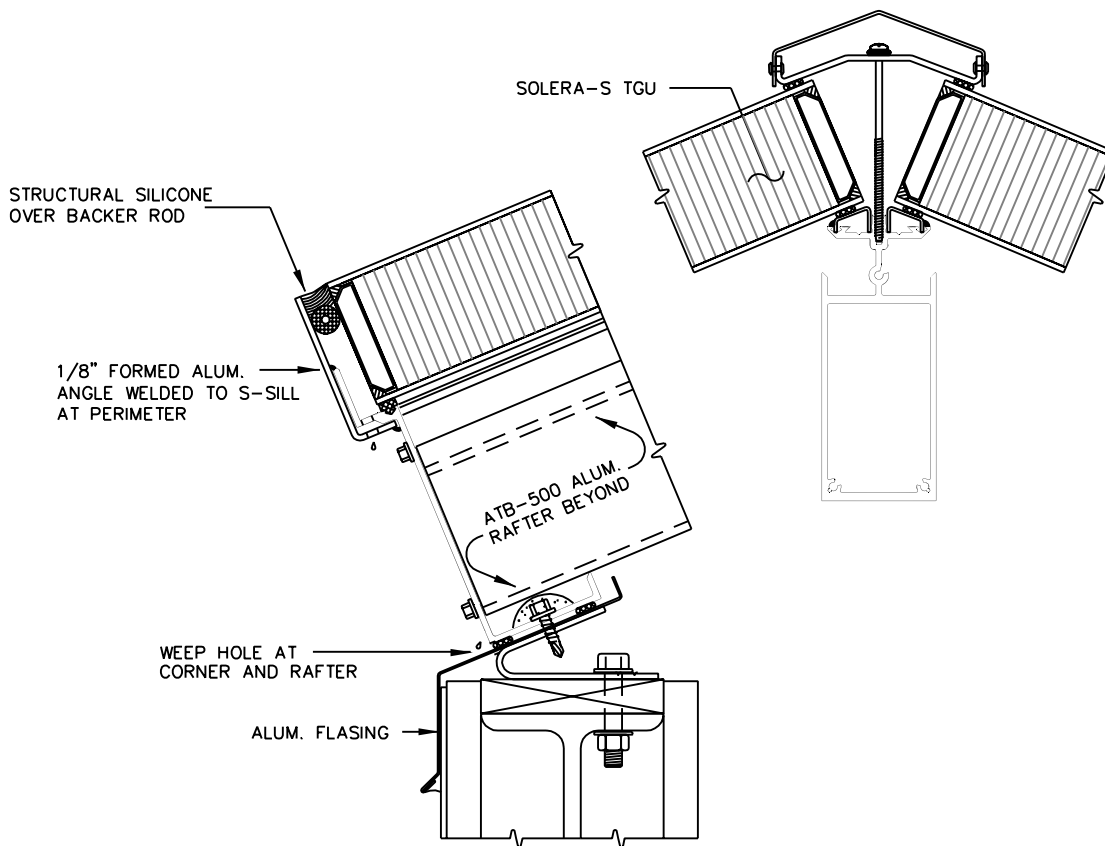


HEAD SECTION



SILL SECTION

* SEE 300-3003-12
FOR DETAILS OF
"INTRA FRAME CAVITY"

DIMENSIONS IN INCHES

SOLERA

ADVANCED GLAZINGS Ltd.

SOLERA IS A REGISTERED TRADEMARK
ADVANCED GLAZINGS LTD.

DRAWINGS CONFORM TO
CSI UNIFORM DRAWING SYSTEM 2000

ISSUE	DATE:	DESCRIPTION:
PROJECT: SOLERA-S TGU		
TITLE: SOLERA-S TGU WITHIN O'KEEFFE'S SKYLIGHT FRAMING SYSTEM		
DRWN: JWS	DATE: 07/09/04	DWG NO. 300-3036-12
Scale 1:4		REV 02
		Sheet