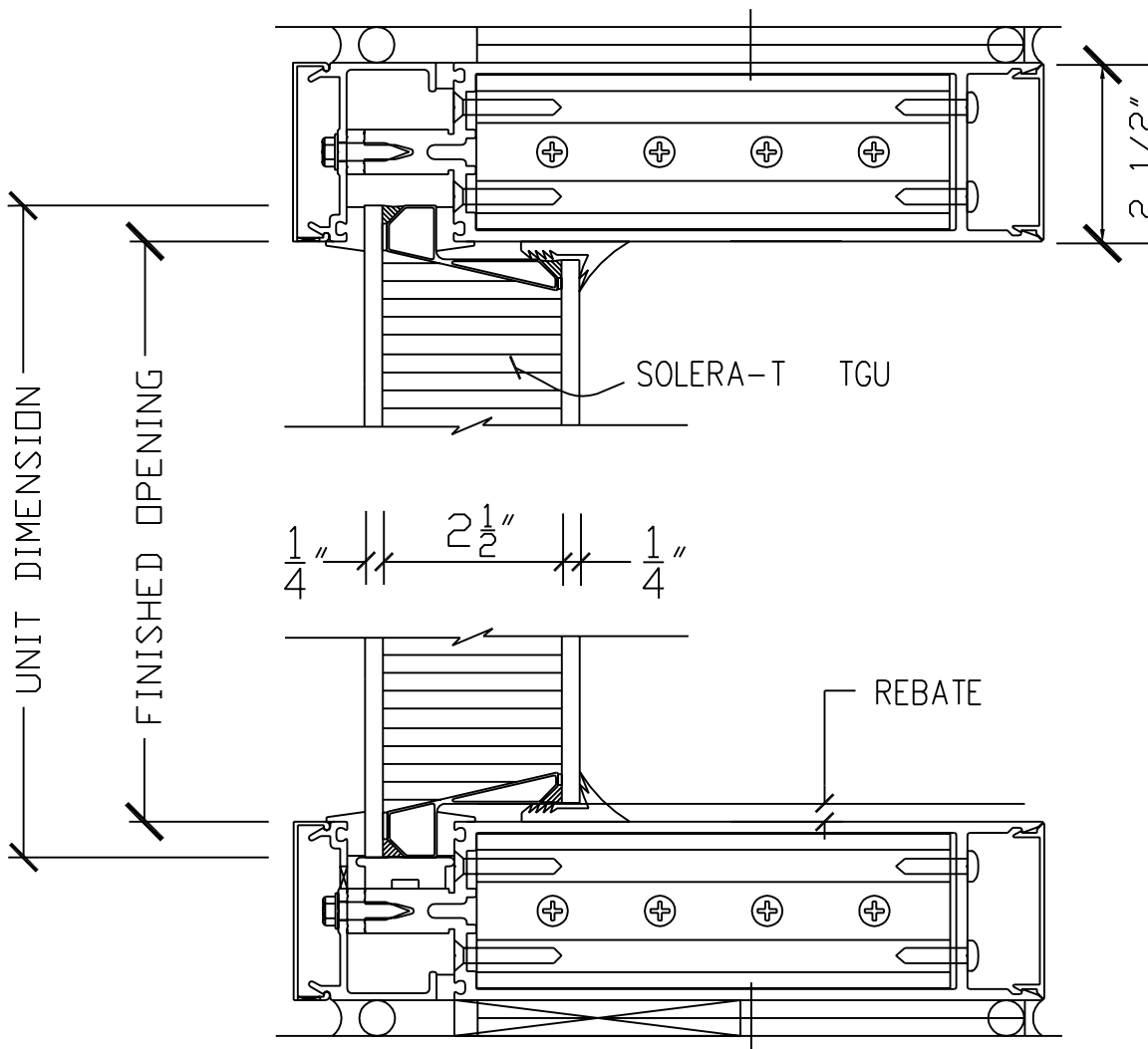


HEAD SECTION

EXTERIOR

INTERIOR



* SEE 300-3003-12
FOR DETAILS OF
"INTRA FRAME CAVITY"

SILL SECTION

DIMENSIONS IN INCHES

SOLERA

ADVANCED GLAZINGS Ltd.

SOLERA IS A REGISTERED TRADEMARK
ADVANCED GLAZINGS LTD.

DRAWINGS CONFORM TO
CSI UNIFORM DRAWING SYSTEM 2000

| ISSUE | DATE: | DESCRIPTION: |
|------------------------------------------------------------------------------------------------|-------------------|------------------------|
| PROJECT: SOLERA-T TGU | | |
| TITLE: SOLERA-T TGU WITHIN KAWNEER 1600 WALL SYSTEM 1 SERIES CURTAIN WALL FRAMING SYSTEM | | |
| DRWN. JWS | DATE: 07/15/04 | DWG NO. 300-3046-12 |
| Scale 3:4 | | REV 02 |
| | | Sheet |