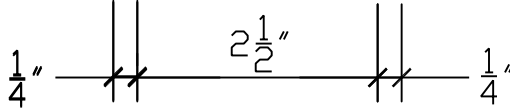
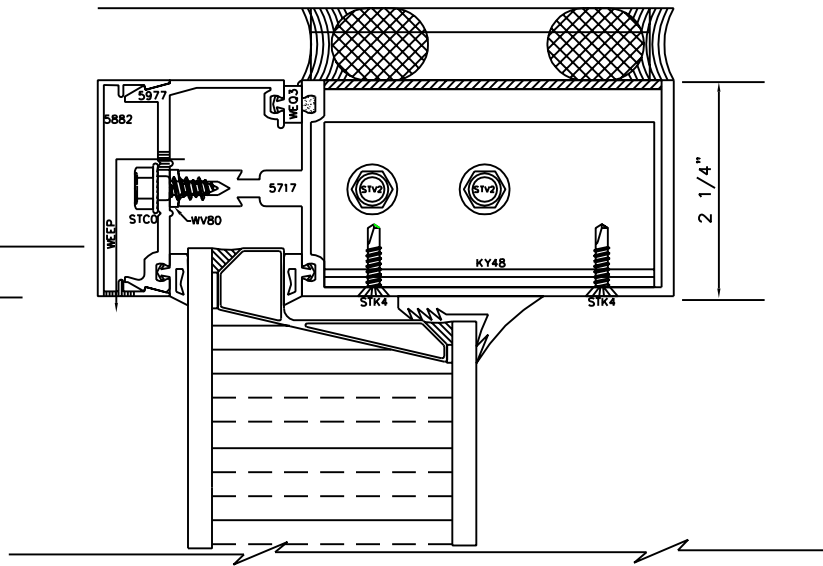
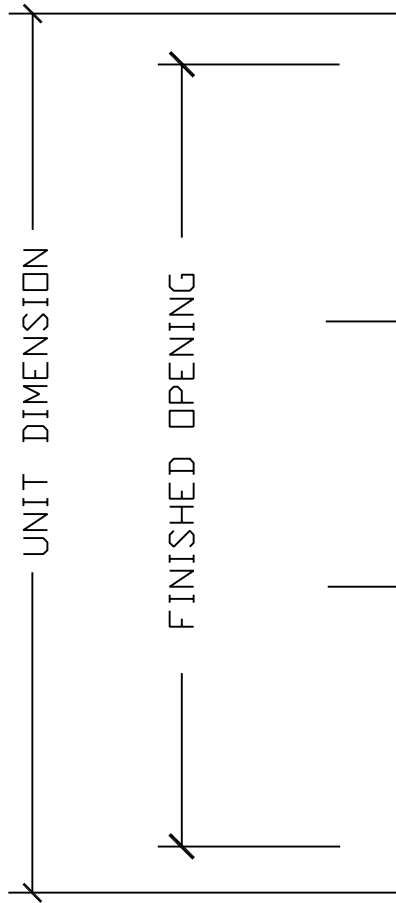


# HEAD SECTION

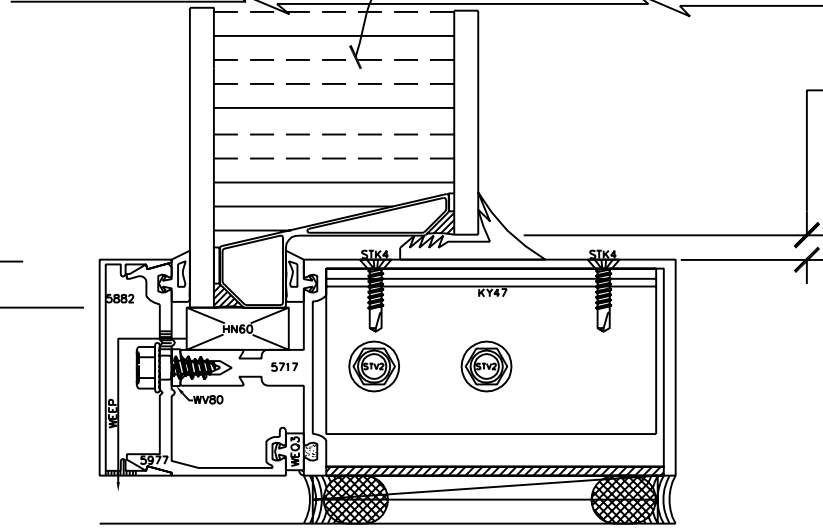
EXTERIOR

INTERIOR



SOLERA-T TGU

REBATE



# SILL SECTION

\* SEE 300-3003-12 FOR DETAILS OF "INTRA FRAME CAVITY"

DIMENSIONS IN INCHES

# SOLERA

ADVANCED GLAZINGS Ltd.

SOLERA IS A REGISTERED TRADEMARK  
ADVANCED GLAZINGS LTD.

DRAWINGS CONFORM TO  
CSI UNIFORM DRAWING SYSTEM 2000

ISSUE	DATE:	DESCRIPTION:
PROJECT: SOLERA-T TGU		
TITLE: SOLERA-T TGU WITHIN EFCO 5600 SERIES CURTAIN WALL FRAMING SYSTEM		
DRWN. JWS	DATE: 07/15/04	DWG NO. 300-3045-12
Scale 1:2		REV 02
		Sheet